

birelART
RENTAL KART

PARTS CATALOGUE // CATALOGO RICAMBI

NBS XRS



www.birelartrental.com

birelART

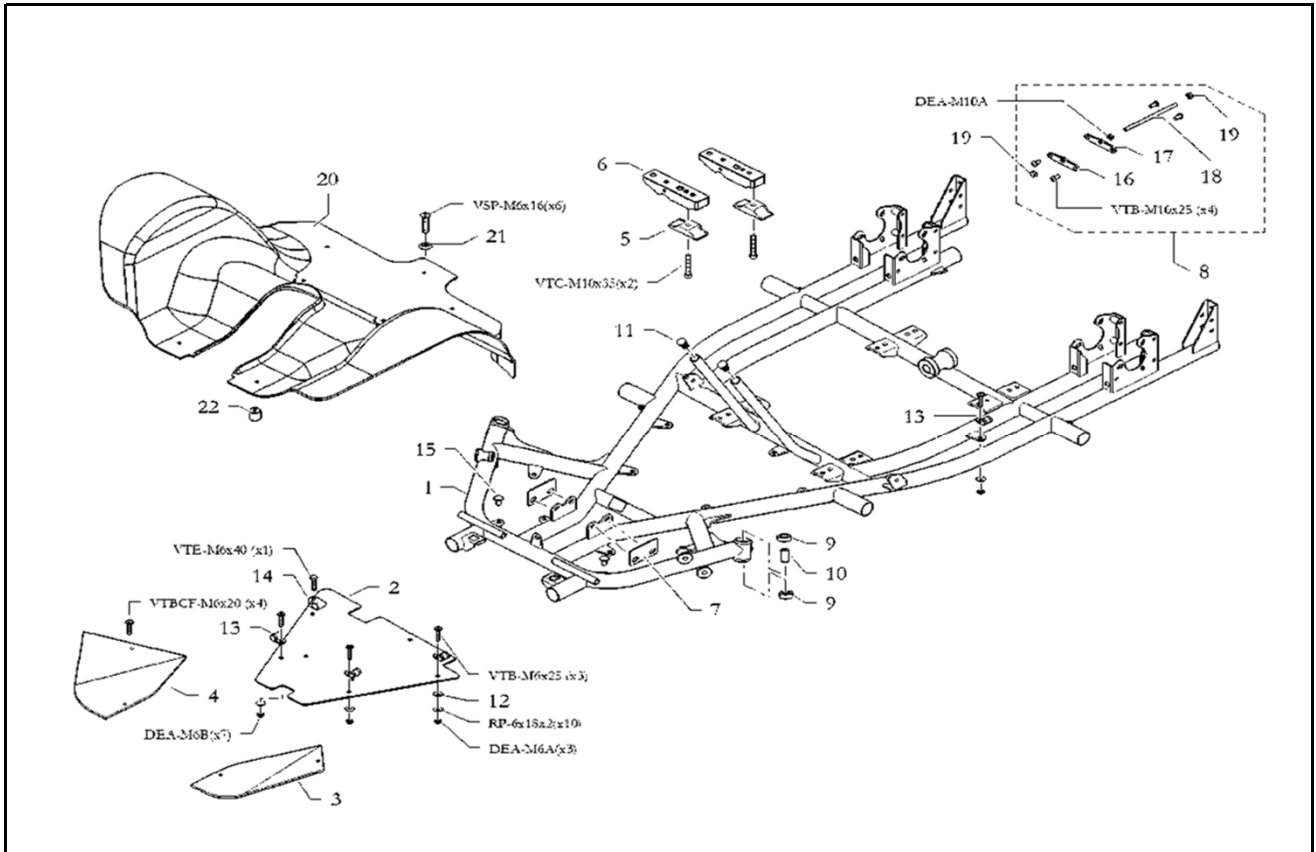


Via San Michele del Carso, 40 - Lissone (MB) - Italy - Ph. +39 039 483440 - Fax +39 039 461232 - info@birelart.com - www.birelart.com

CATALOGO KART N35-XR ST / CATALOGUE KART N35-XR ST

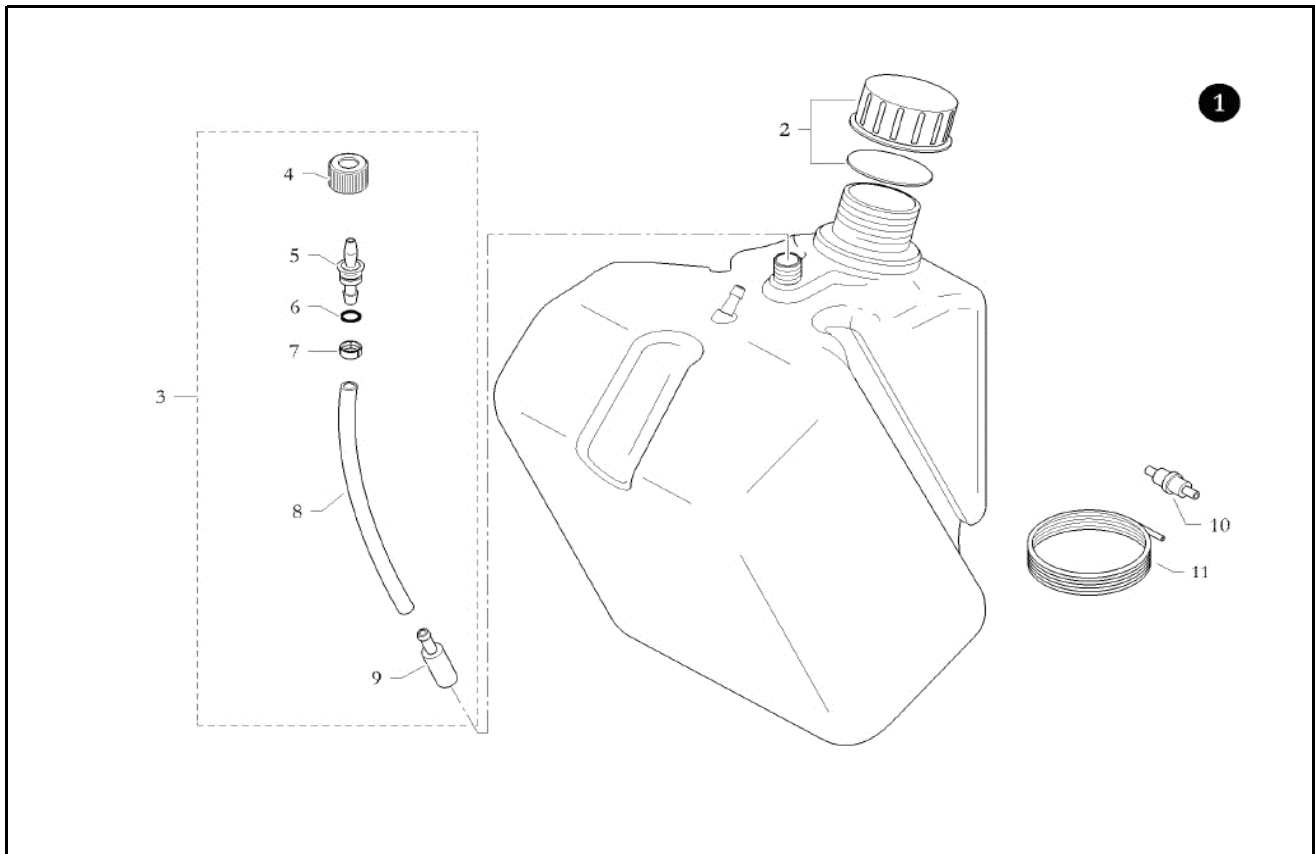
INDICE - INDEX

01	TELAIO N35-XR	01	FRAME N35-XR
02	SERBATOIO	02	TANK
03	GRUPPO DIREZIONE	03	DIRECTION GROUP
04	PEDALI	04	PEDALS
05	SGANCIO ACCELERATORE	05	ACCELERATOR RELEASE
06	IMPIANTO FRENO	06	BRAKE SYSTEM
07	POMPA FRENO	07	MASTER CYLINDER
08	PINZA FRENO	08	BRAKE CALIPER
09A	ASSIEME RETROTRENO (CINGHIA)	09A	REAR AXLE ASSY (DRIVE BELT)
09B	ASSIEME RETROTRENO GX200 (CATENA)	09B	REAR AXLE ASSY GX200 (CHAIN)
09C	ASSIEME RETROTRENO GX270 (CATENA)	09C	REAR AXLE ASSY GX270 (CHAIN)
09D	ASSIEME RETROTRENO GX390 (CATENA)	09D	REAR AXLE ASSY GX390 (CHAIN)
09E	ASSIEME RETROTRENO ROTAX J.	09E	REAR AXLE ASSY ROTAX J.
10	RUOTE	10	WHEELS
11	SEDILE REGOLABILE N35-XR	11	ADJUSTABLE SEAT N35-XR
12	LEVA SGANCIO PEDALI	12	PEDALS RELEASE LEVER
13	MUSETTO PORTANUMERO	13	FRONT PANEL
14	CARENATURA ANTERIORE	14	FRONT POD
15	CARENATURE LATERALI	15	SIDE PODS
16	CARENATURA POSTERIORE	16	REAR POD
17	COVER POSTERIORE ST	17	REAR COVER ST
18	POGGIATESTA + CINTURE N35	18	HEADREST + SAFETY BELT N35
19	CESTELLO PESI	19	WEIGHT HOLDER
20	ADESIVI	20	STICKERS
21A	ACCESS. MOTORE GX200 (CINGHIA)	21A	ENGINE GX200 ACCES. (DRIVE BELT)
21B	ACCESS. MOTORE GX200 (CATENA)	21B	ENGINE GX200 ACCES. (CHAIN)
21C	ACCESS. MOTORE GX270 (CINGHIA)	21C	ENGINE GX270 ACCES. (DRIVE BELT)
21D	ACCESS. MOTORE GX270 (CATENA)	21D	ENGINE GX200 ACCES. (CHAIN)
21E	ACCESS. MOTORE GX390 (CATENA)	21E	ENGINE GX200 ACCES. (CHAIN)

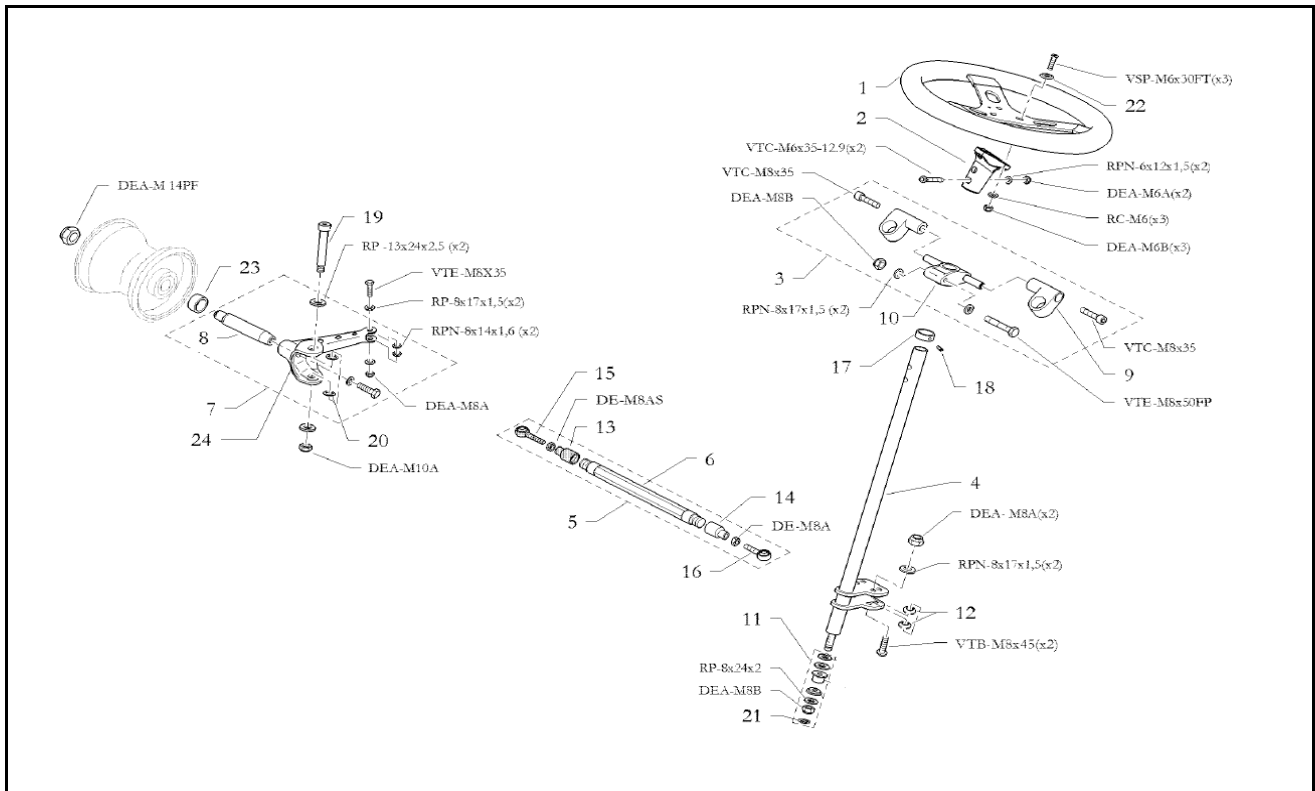


POS	CODE	DESCRIPTION	希望小売価格
1	10.5982.00-RO	FRAME MOD.N35-X シート固定	348,000
1	10.11840.00-RO	FRAME MOD.N35-XR スライドシート	390,000
2	20.4222.10-SA	CENTRAL PANEL N35-X	17,900
2	20.15050.10-NE	CENTRAL PANEL N35-XR	17,900
3	20.4224.10-SA	PANEL LEFT N35 RIGHT	12,700
4	20.4225.10-SA	PANEL RIGHT N35 LEFT	12,700
5	20.9206.06	MOUNT CLAMP,STEEL	3,000
6	10.4520.00	CLAMP SUPPORT 35×92 HONDA	4,700
6	20.13327.10-LU	CLAMP SUPPORT RENTAL HQ	10,600
7	20.13320.10-NE	SUPPORT HOLDER FRONT PANEL	1,500
8	10.13725.00	ENGINE LOCK RENTAL ASSEY	8,400
9	6001ZZ	BEARING 6001	1,000
10	20.4241.06	SPACER 16×12×33 N35	560
11	40.4228.00	COVER CAP φ18mm	140
12	20.0636.18	RUBBER WASHER	280
13	40.12447.00	CLAMP φ10	560
14	20.4011.18-NE	CLAMP φ20	280
15	40.12672.00	ABSORBERP 14x9x6	140
16	20.13333.06-CR	ENGINE LOCK Φ11	3,400
17	20.13308.06- C R	ENGINE LOCK Φ10	3,700
18	20.13629.06	ENGINE LOCK BARΦ10	840
19	40.13797.00	NUT M10 HEXAGONAL ENGINE STOP	280
20	20.16464.18-NE	FLOOR PANEL COVER N35	50,000
21	20.3615.10-LU	WASHER COUNTERSUNK	560
22	40.15404.00	SILENTBLOCK20x15 F-F	230

価格、部品展開図は予告なく変更する場合があります。

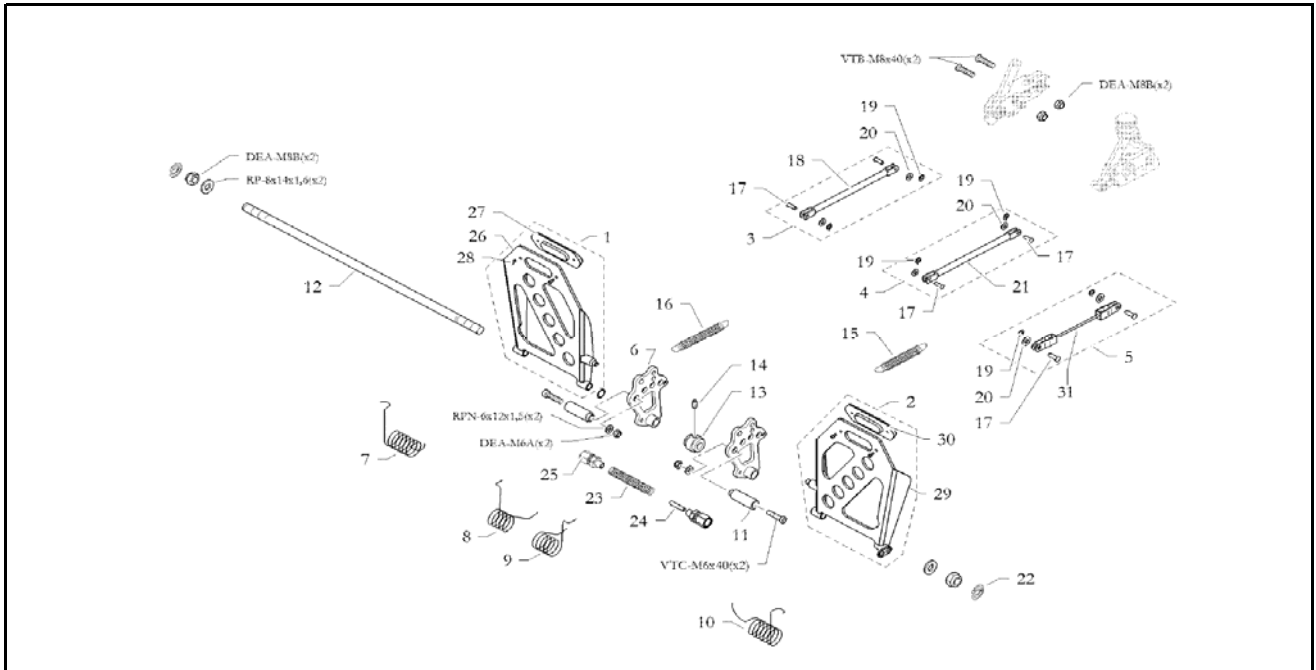


POS	CODE	DESCRIPTION	希望小売価格
1	10.7509.00	PETROL TANK L10	11,400
2	10.7499.00	PETROL CAP,TANK L8/10 LT	1,100
3	10.7501.00	WEIGHT FOR PETROL TANK ASSY. 8/10 LT	2400
4	40.6779.00	CAP FOR PETROL TANK DIVER	280
5	20.7446.18	TOP FITTING INTAKE	280
6	40.6374.00	GROMMET OR 8,73×1,78	140
7	20.6990.18	TANK FITTING OGIVE	140
8	20.7500.20	TUBE FOR WEIGHT OF PETRPL TANK	260
9	20.7447.14	WEIGHT FOR PETROL TANK	560
10	40.6653.00	PETROL FILTER φ8	840
11	20.13737.20	PETROL TUBE BLACK 5X10.5 mt.1	2,800
13	20.0333.20	PETROL TUBE 5x9	420
14	40.8148.00	PETROL TUBE BLACK 5X10.5 mt.15	42,000



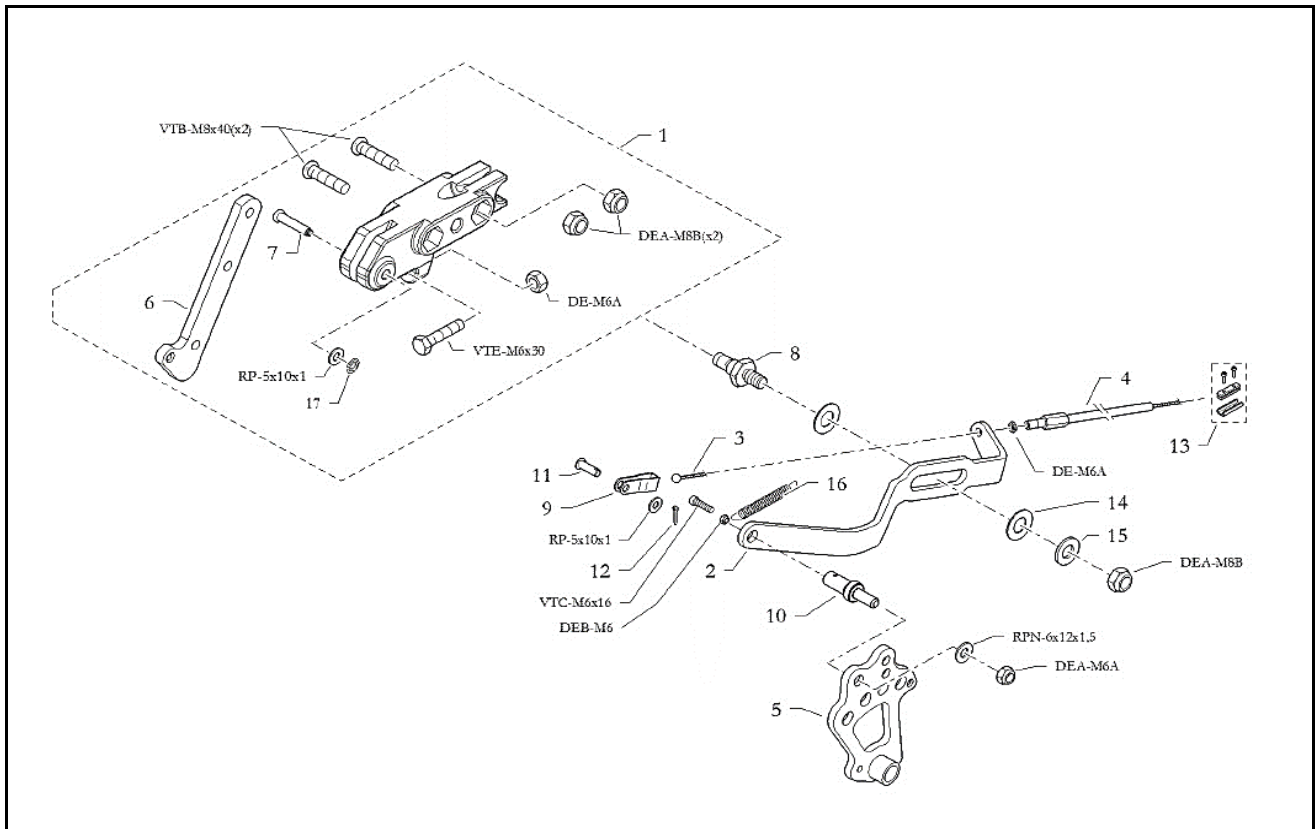
POS	CODE	DESCRIPTION	希望小売価格
1	40.13136.00	STEEL STEER.WHEEL 320, RENTAL	26,500
2	20.10173.10-NE	STEERING WHEEL SUPPORT 100, HQ INCLINED	12,000
3	10.0833.00	STEERING COLUMN SUPPORT ASSY, 120	10,800
4	10.14787.00-CR	STEERING COLUMN L490 N35 2021	13,800
5	10.4280.00	TIE ROD ASSY. 285 N35	11,500
6	20.4281.18	BARE TIE ROD N35	2,000
7	10.12660.00	SPINDLE R. C-10×89-CE/17	30,000
7	10.12661.00	SPINDLE L. C-10×89-CE/17	30,000
8	20.12659.06	SPINDLE STEM E L89 N35	4,000
9	20.4997.10-CH	HALF SUPP. L45 STEERING COLUMN	4,200
10	10.5814.00	NYLON SUPP. FOR STEERING COLUMN L75 ASSY	2,800
11	10.10294.00	KIT BUSHING STEERING COLUMN N35	3,600
12	20.1900.06	SPACER UNIBOOL	450
13	20.11836.10-NE	TIE ROD BUSHING N35 M8 LEFT L=43,5	2,800
14	20.4282.10-AG	TIE ROD BUSHING N35 M8 RIGHT L=36,5	2,400
15	40.3484.00	BALL JOINT M M8 L	2,200
16	40.2439.00	BALL JOINT M M8 R	2,200
17	20.0261.10-LU	STOP RING FOR STEERING COLUMN 125	1,600
18	40.3684.00	DOWEL 6×6 DIN 913	150
19	40.6422.00	SPINDLE AXLE SCREW	3,000
20	RP-12×18×1	WASHER DIN 988	150
21	40.0217.00	CIRCLIP 3.1X11X1	150
22	20.3615.10-LU	WASHER COUNTERSUNK M6	560
23	20.12883.10-LU	SPACER 17X24X12 N35	560
24	10.4614.00-CR	BODY SPINDLE RIGHT	26,000
24	10.14615.00-CR	BODY SPINDLE LEFT	26,000

価格、部品展開図は予告なく変更する場合があります。



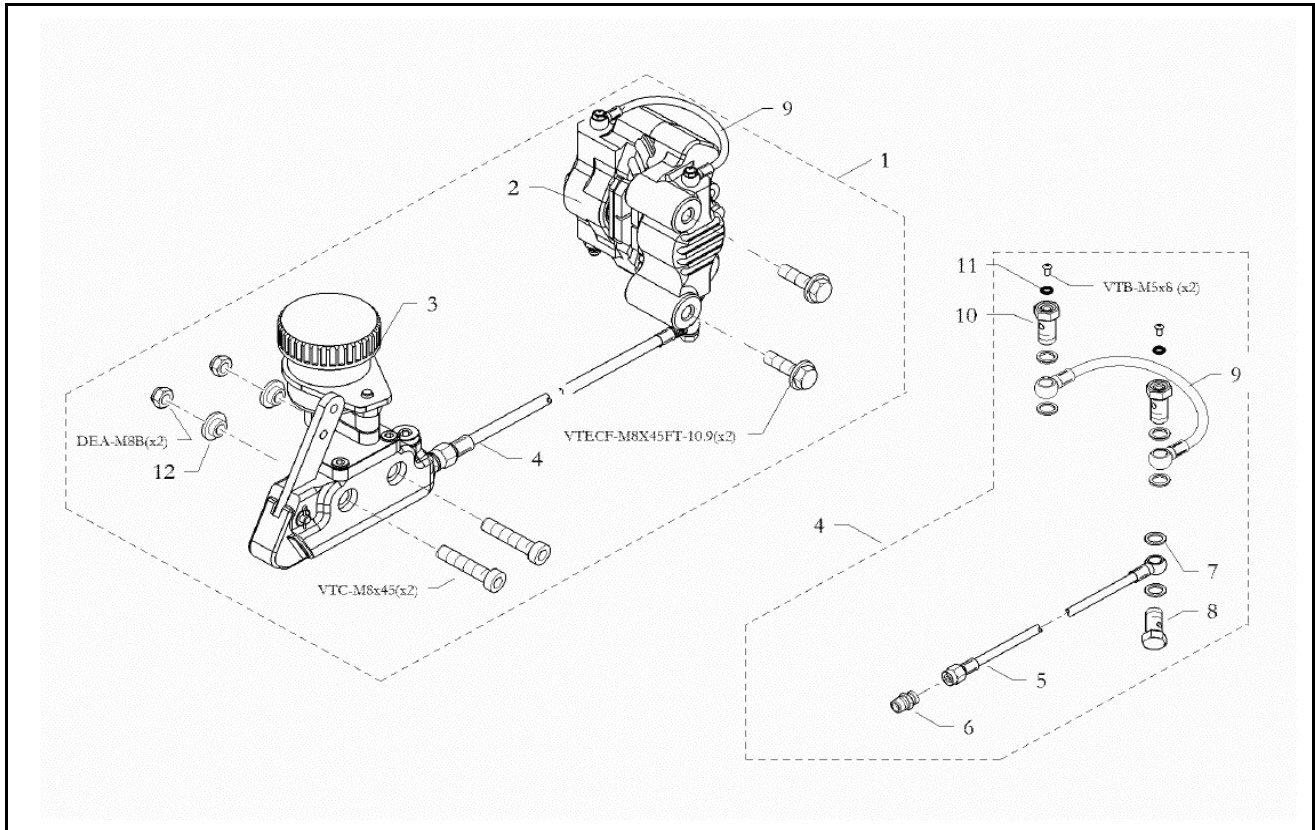
POS	CODE	DESCRIPTION	希望小売価格
1	10.16350.00	ACCELETPR PEDAL N35,ASSY	17,800
2	10.16351.00	BRAKE PEDAL N35,ASSY	17,800
3	10.13962.00	TIE ROD ACCELERATOR L95 ASSEMBLY N35	3,900
4	10.13963.00	TIE ROD BRAKE 118 ASSEMBLY,N35	3,900
5	10.9135.00	CABLE SAFETY ASSY.FOR TIE ROD N35-X	3,900
6	10.7201.00	PEDAL POSITION REGULATOR N35	3,600
7	20.4415.06	ACC. PEDAL SPRING,RIGHT N35	1,800
8	20.4414.06	ACC. PEDAL SPRING,LEFT N35	1,800
9	20.4417.06	BRAKE PEDAL SPRING,RIGHT N35	1,800
10	20.4416.06	BRAKE PEDAL SPRING,LEFT N35	1,800
11	20.7202.06	SAFETY LOCK FOR PEDALS N35	280
12	20.4277.06	TIE ROD PEDAL SUPPORT N35	8,400
13	20.12963.10-LU	SPACER SPRING PEDALS N35	2,500
14	40.3684.00	DOWEL 6×6 DIN 913	150
15	20.0918.06	SPRING 40, EXHAUST MANIFOLD	440
16	20.0917.06	SPRING 50, EXHAUST MANIFOLD	440
17	20.15055.06-ZN	PIN TC 5×13,5	420
18	20.10913.06	ACCELERATOR TIE ROD L=118 N35	3,300
19	20.13165.06	CIRCLIP Φ10X12 FILO Φ1	280
20	40.7072.00	WASHER 5×9×0,5	140
21	20.10912.06	BRAKE TIE ROD L=118 N35	3,300
22	40.0217.00	CIRCLIP 3,1×11×1	150
23	40.12484.00	COMPRESSION SPRING 9X69 WIRE1.25 WIRE18.5	840
24	20.12778.18	SPRING SPACER φ6 4X38 N35	560
25	20.12678.10	WASHER 10.1X14X3.5	560
26	10.16348.00-CR	ACCELEATOR PEDAL N35	16,700
27	20.12413.18-VE	NON-SLIP RUBBER GAS PEDAL N35	1,000
28	40.12983.00	SCREW 4.2X9.5	140
29	10.16349.00-CR	BRAKE PEDAL N35	16,700
30	20.12413.18-RO	NON-SLIP RUBBER BRAKE PEDAL N35	1,000
31	10.7658.00	SAFTY CABLE BRAKE N35	2,000

価格、部品展開図は予告なく変更する場合があります。

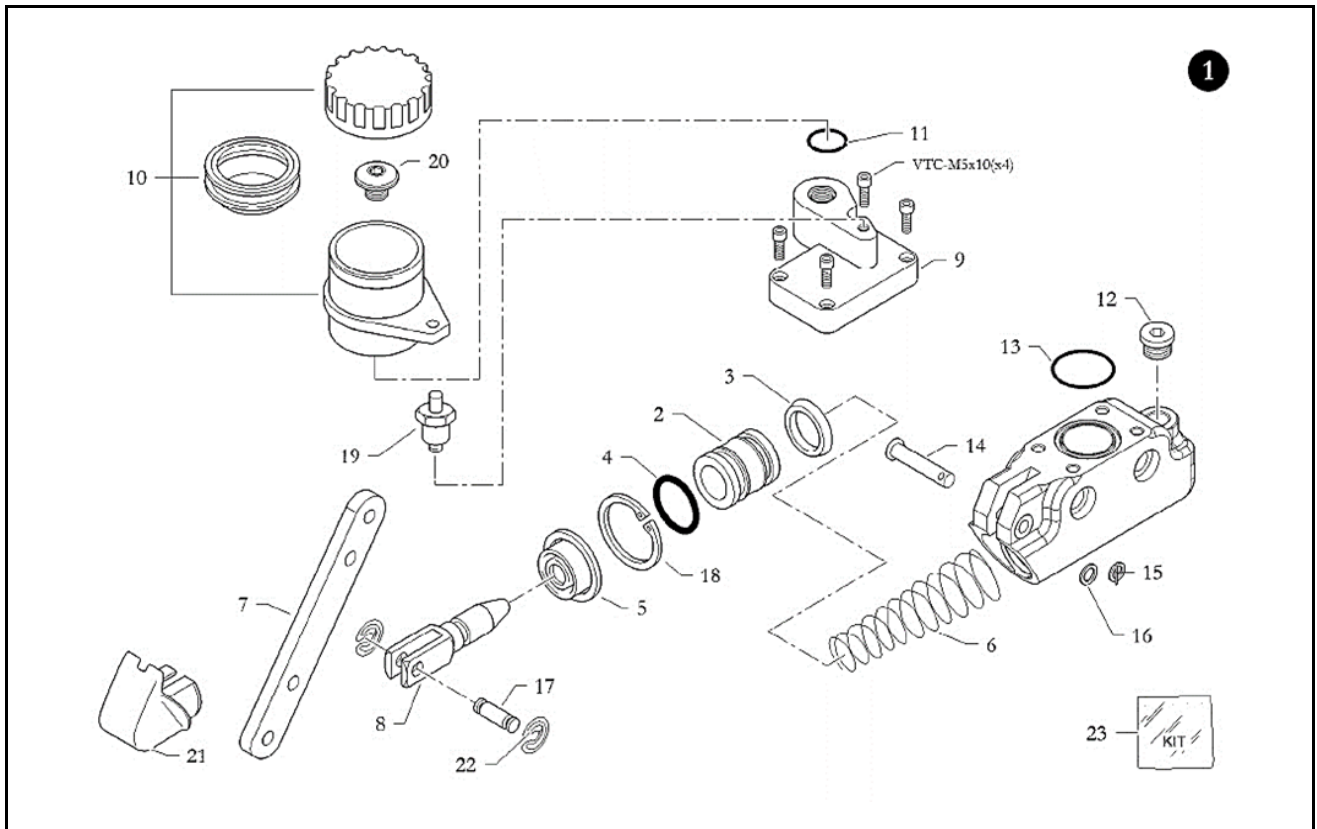


POS	CODE	DESCRIPTION	希望小売価格
1	10.5992.00	ACC. CONTROL TRANSM. N35 ASSY.	9,600
2	20.7307.06	ACCELERATOR RELEASE LEVER N35	5,400
3	40.7830.00	STEEL CABLE DIA. 1,6×49SF6	840
4	40.7415.00J	ACCELERATOR OUTER CABLE BLOCK N35 N35 D.5	2,000
5	10.7201.00	PEDAL POSITION REGULATOR N35	3,600
6	20.7349.06	SINGLE LEVER ACCEL. CABLE TRANSMISSION N35	3,600
7	20.7547.06	PIN TC 5×30	560
8	20.7306.06	PIN FOR CABLE TRANSMISSION ACCEL. N35	1,100
9	40.7611.00	FORK TIE ROD ACCELERATOR CABLE	150
10	20.7309.06	PIN TO BLOCK ACCEL. LEVER N35	520
11	20.15055.06-ZN	PIN TC 5×13,5	420
12	40.5182.00	SPLIT PIN 1,5×12 UNI 1336	280
13	10.15245.00	WIRE STOP DUPLEX	1,400
14	40.7308.18	NYLON WASHER 20×10×1	140
15	20.3729.06	WASHER 8×15×3	140
16	20.0918.06	SPRING 40	440
17	40.0217.00	CIRCLIP 3.1x11x1	150

価格、部品展開図は予告なく変更する場合があります。

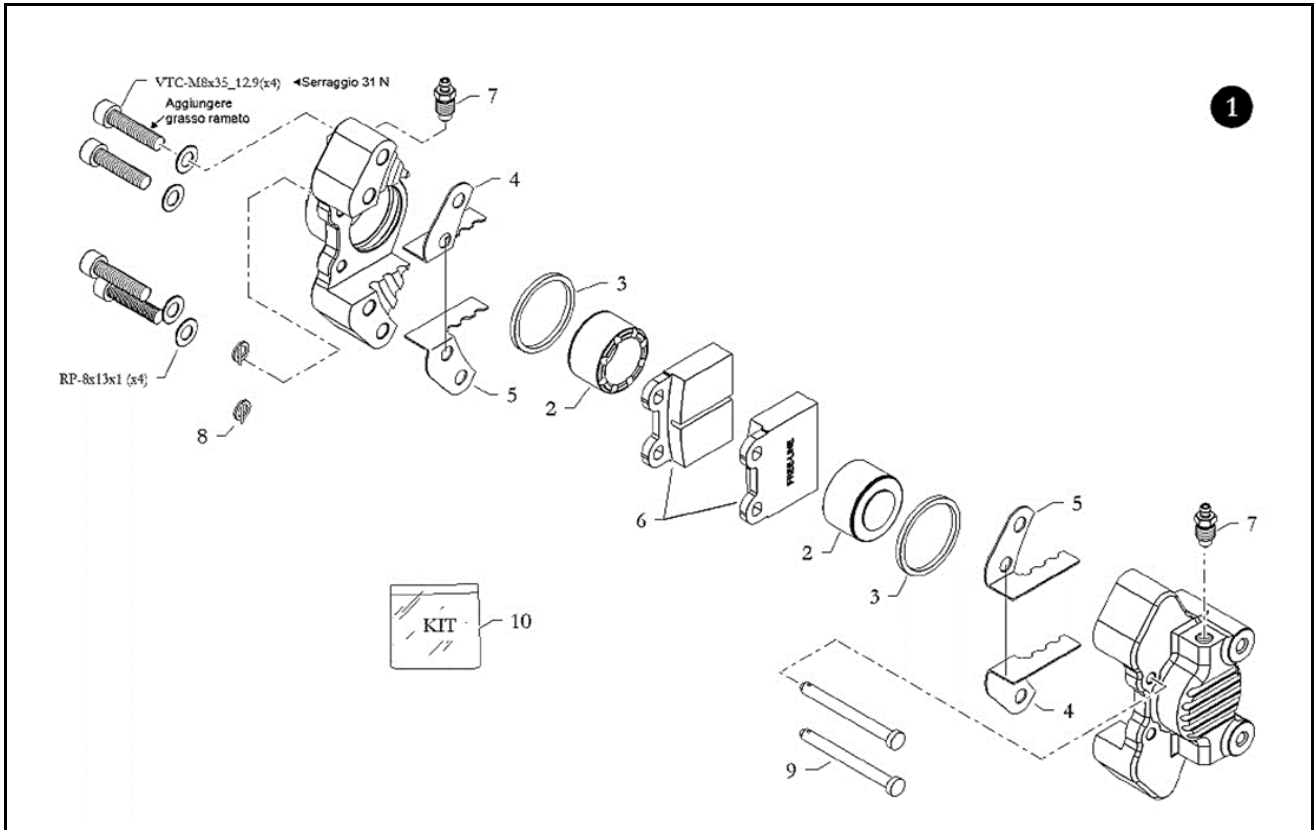


POS	CODE	DESCRIPTION	希望小売価格
1	10.12549.00	BRAKE SYSTEM REAR R-I38 1450 N35-X	113,800
2	10.11131.00	REAR BRAKE CALIPER R-I38×2 H8 E13, ASSY.	55,900
3	10.4914.00-NE	MASTER CYLINDER 22SR N35 ASSY.	39,000
4	10.13991.00-NU	BRAKE TUBE ASSY. N35	19,000
5	10.7755.00-NU	BRAKE TUBE R. L1255 O	9,500
6	40.3292.00	ONE WAY FITTING BRAKE R	500
7	40.7752.00	COPPER WASHER 10×14×1,5	150
8	20.7646.06	FITTING SCREW BANJO 1/8 CH13	500
9	10.13887.00-NU	BRAKE TUBE L 195 OO	6,200
10	20.14067.06	FITTING SCREW M6X0.75 CH13	700
11	40.3483.00	OR5X1 EPDM	150
13	20.18750.06	BUSHING 8X4X10	280



POS	CODE	DESCRIPTION	希望小売価格
1	10.4914.00-NE	MASTER CYLINDER 22SR ASSY.	39,000
2	20.11380.10-DX	PISTON MASTER CYLINDER 22 SR EVO	4,200
3	40.1638.00	LIP SEAL 22 EPDM	560
4	40.4945.00	SEAL OR 17,86×2,62 EPDM	280
5	20.4887.20	RUBBER PROTECTION FOR BRAKE PUMP	330
6	20.4913.06	SPRING, MASTER CYLINDER 22 SR	570
7	20.7171.06-ZE	SINGLE PUMP LEVER 22 N35	3,600
8	20.4900.06	MASTER CYLINDER FORK B	1,820
9	20.4918.10-NE	COVER MASTER CYLINDER 22 SR N35	5,000
10	10.4917.00	TANK ASSEMBLY S31	6,800
11	40.4923.00	GROMMET OR 10,82×1,78 EPDM	280
12	40.4270.00	CYLINDRICAL CAP	840
13	40.4924.00	GROMMET OR 21,95×1,78 EPDM	280
14	20.7043.06	PIN TC 5×23,5	560
15	20.13165.06	CIRCRIP D.10X12 FILO d.1	280
16	40.7072.00	WASHER 5×9×0,5	140
17	20.0873.06	PIN 5×15	280
18	AAI-24	CIRCLIP UNI 7437	150
19	20.4921.06	PETROL TANK LOCK S31	1,000
20	20.8353.06	PETROL TANK FIXING SCREWS	2,000
21	20.1859.18-NE	POMP COVER	380
22	40.0217.00	CIRCLIP 3.1X11X1	150

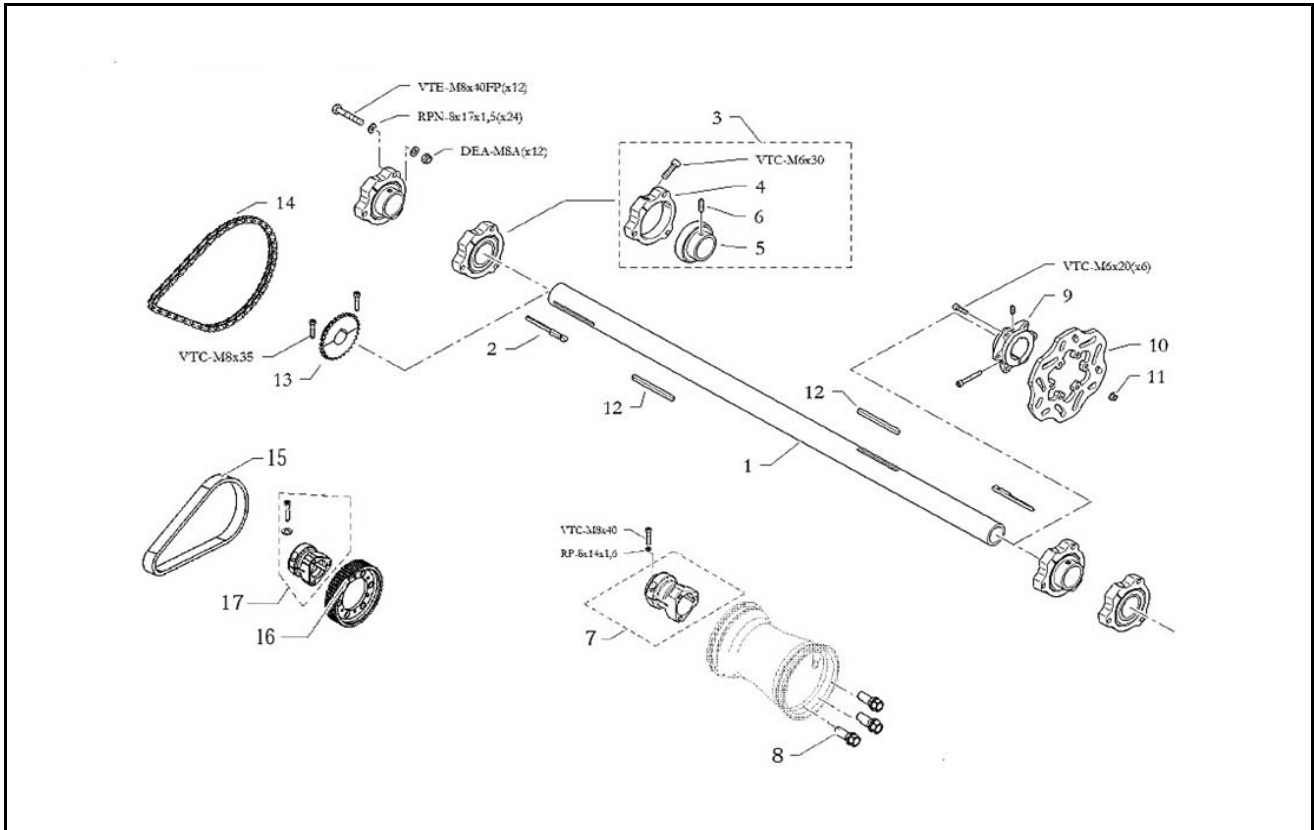
価格、部品展開図は予告なく変更する場合があります。



POS	CODE	DESCRIPTION	希望小売価格
1	10.11131.00	REAR BRAKE CALIPER R-I38×2 H8 E13, ASSY.	55,900
2	20.9396.06	PISTON I38	3,000
3	40.4861.00	OR 38×47×3,2 SECTION SQUARE EPDM	280
4	20.12172.06	SHEET-STEEL LH CALIPER R-I38×2	1,400
5	20.12171.06	SHEET-STEEL RH CALIPER R-I38×2	1,400
6	10.11019.00	REAR BRAKE PAD 56×15 FDB3 ID 450	4,200
7	20.8618.06	DRAIN SCREW CALIPER G 1/8	840
8	20.13165.06	CIRCLIP D.10X12 FILO d.1	280
9	20.12193.06	BUSHING PIN FOR PAD D.6X72	420

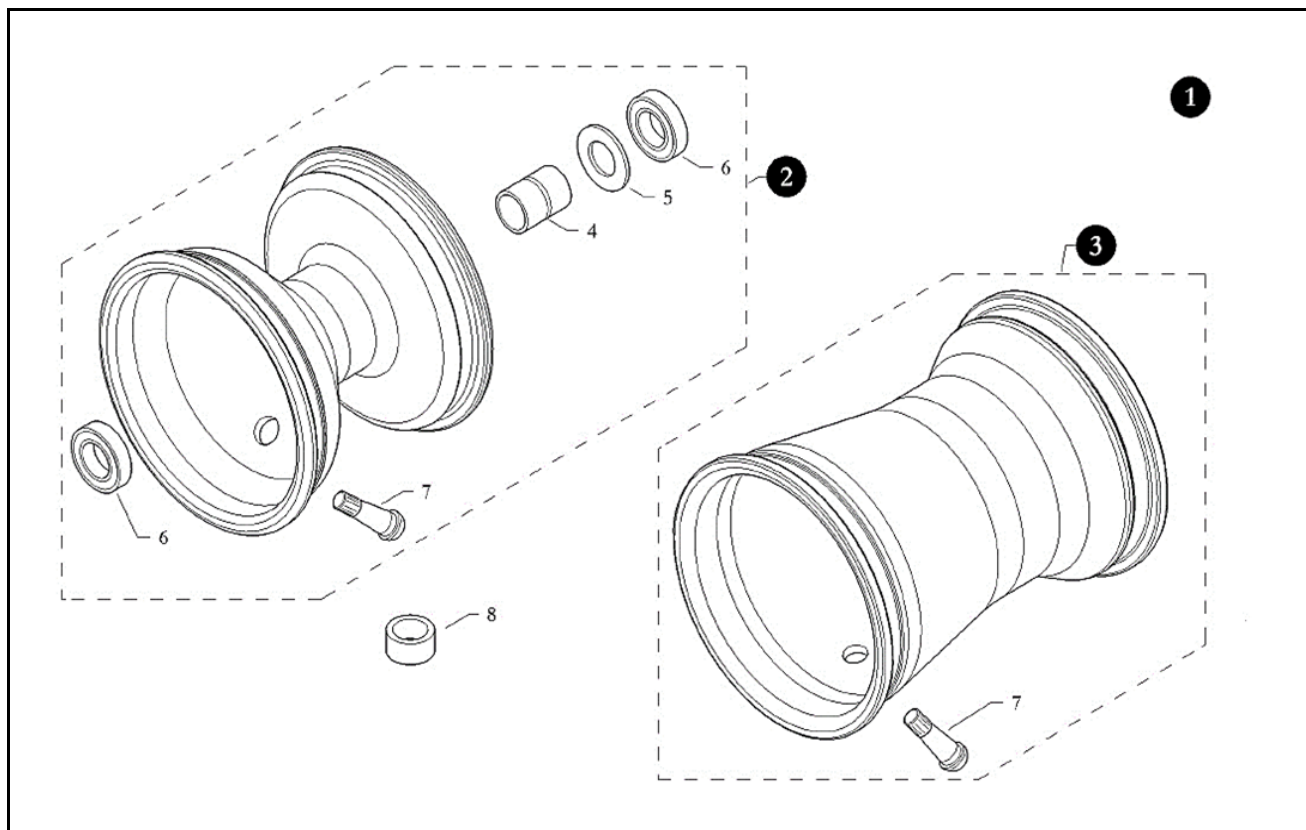
REAR AXLE ASSEMBLY

Gr.m N35ST09

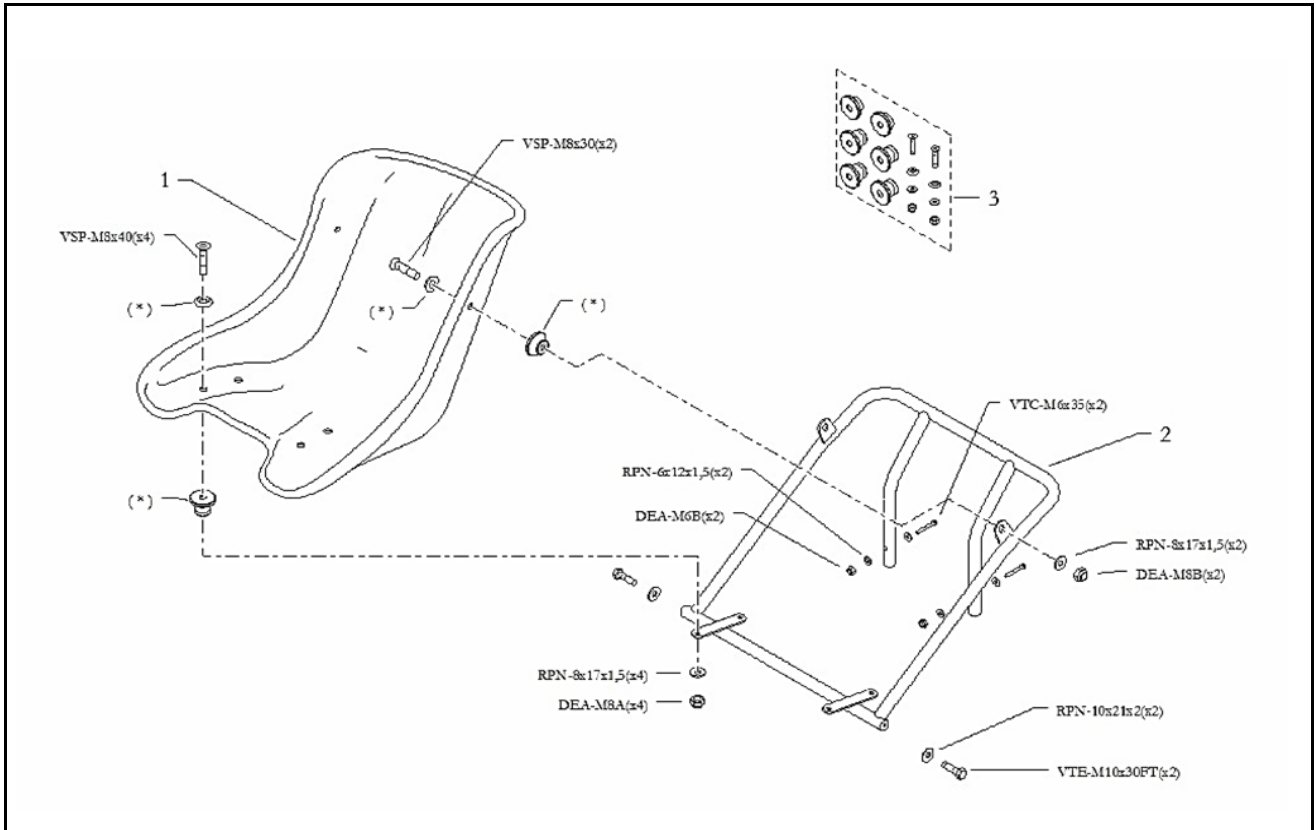


POS	CODE	DESCRIPTION	希望小売価格
1	20.12864.06-K	REAR AXLE 40×5×1060	54,000
2	20.4983.06	AXLE KEY 8×8×100 B50 INDOOR	2,400
4	10.6104.00-NE	SUPPORT AXLE BEARING 40 HQ	10,000
5	40.2519.00	REAR AXLE BEARING 40	5,400
5	40.8647.00	REAR AXLE BEARING 40 SB2RS	6,600
6	40.2921.00	DOWEL 8×1×7	150
7	10.12856.00-NE	WHEEL HUB 40×60-8A/P HQ	15,600
8	20.14276.06	SCREW M10X1.25 CH13	1,700
9	10.7189.00-NE	DISK CARRIER 40X66-8A	15,100
10	20.8997.06	REAR BRAKE DISK FIX 66×180×8A	18,000
11	40.6349.00	LOCK NUT M6	150
12	20.4432.06	AXLE KEY 8X4.5X100	1,800
13	A001.08.11	スプロケット40 428	7,000
14	A002.11.001	チェーン D428 3M	7,500
	A002.08.040	チェーン ジョイント	250
15	40.13003.00	DRIVE BELT RPP SILVER 640 SLV8 30	
16	20.12669.06	PULLEY HTD8 M30	
17	10.13714.00	PULLEY SUPPORT RENTAL ASSY	

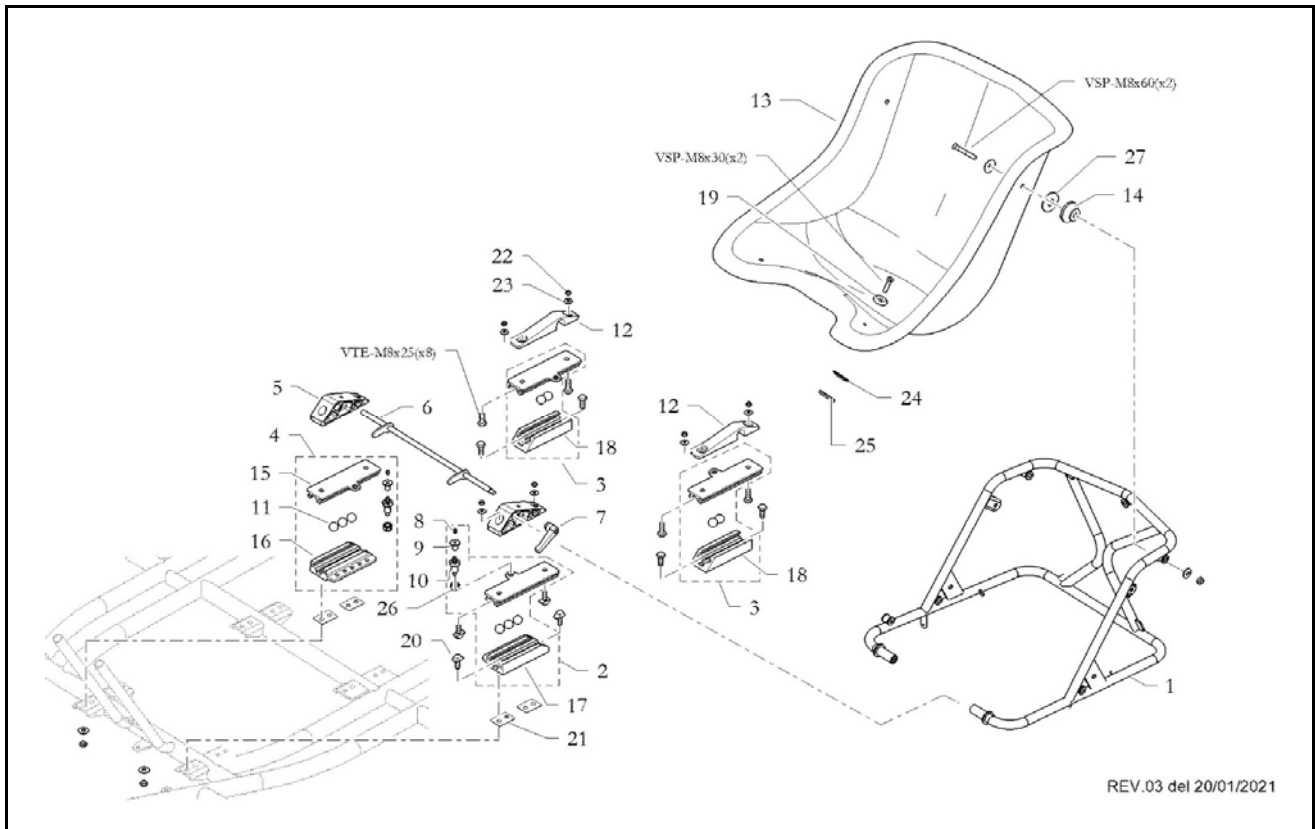
価格、部品展開図は予告なく変更する場合があります。



POS	CODE	DESCRIPTION	希望小売価
2	10.12976.00	WHEEL 5" NH120A	16,700
3	10.12977.00	WHEEL 5" NH180A	13,900
4	20.12833.06	SPACER BEARING 18X24X30.5	1,400
5	20.12835.18	WASHER WHEEL 24X34.5X0.7	280
6	40.12859.00	BEARING 6203-RS 217X40X12	560
7	40.0581.90J	TUBELESS VALVE,SHORT	440
8	20.12883.10-LU	SPACER 17X24X12	1,000

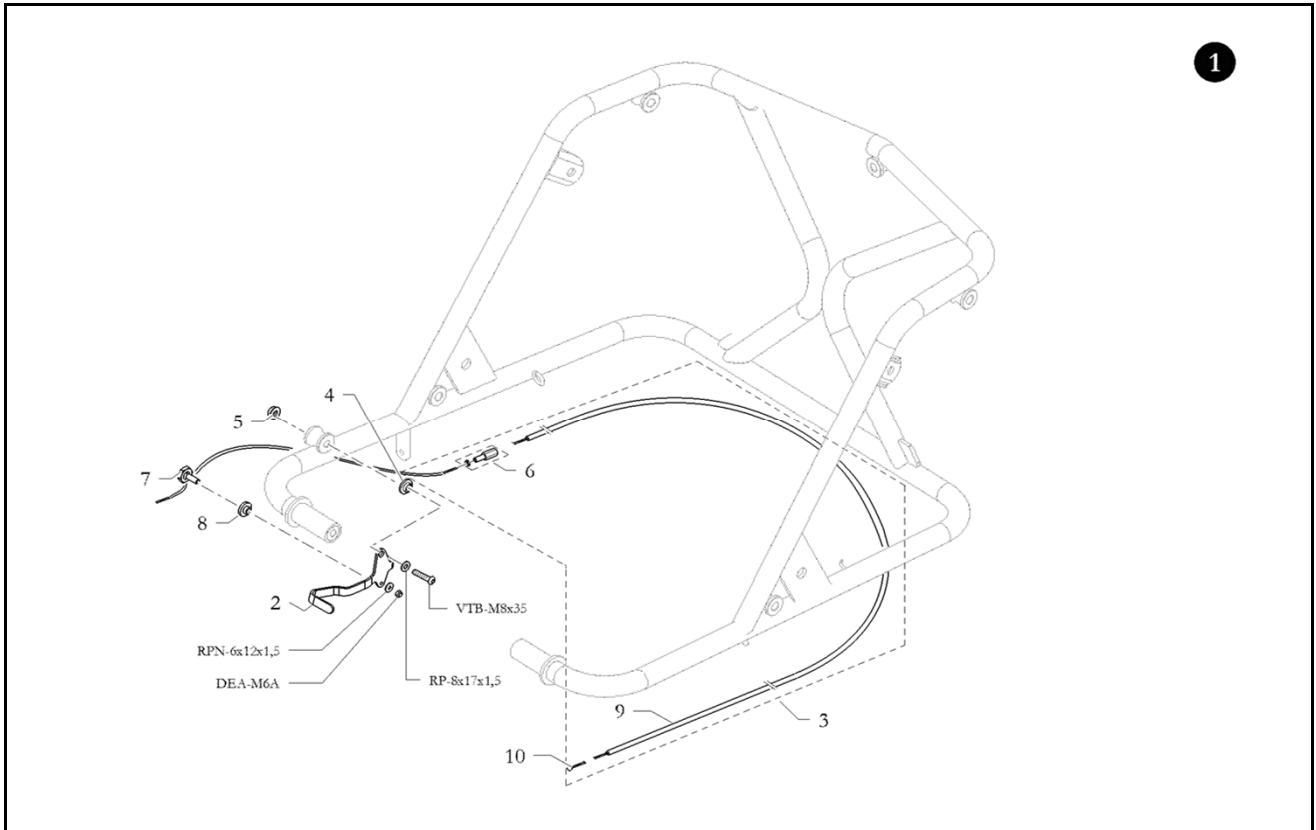


POS	CODE	DESCRIPTION	希望小売価格
1	40.10098.00-NE	SEAT N35 TG. XXL	42,000
2	10.4192.00-CR	SEAT FRAME ASYMMETRICAL	18,000
※	20.11248.20	RUBBER SEAT	560

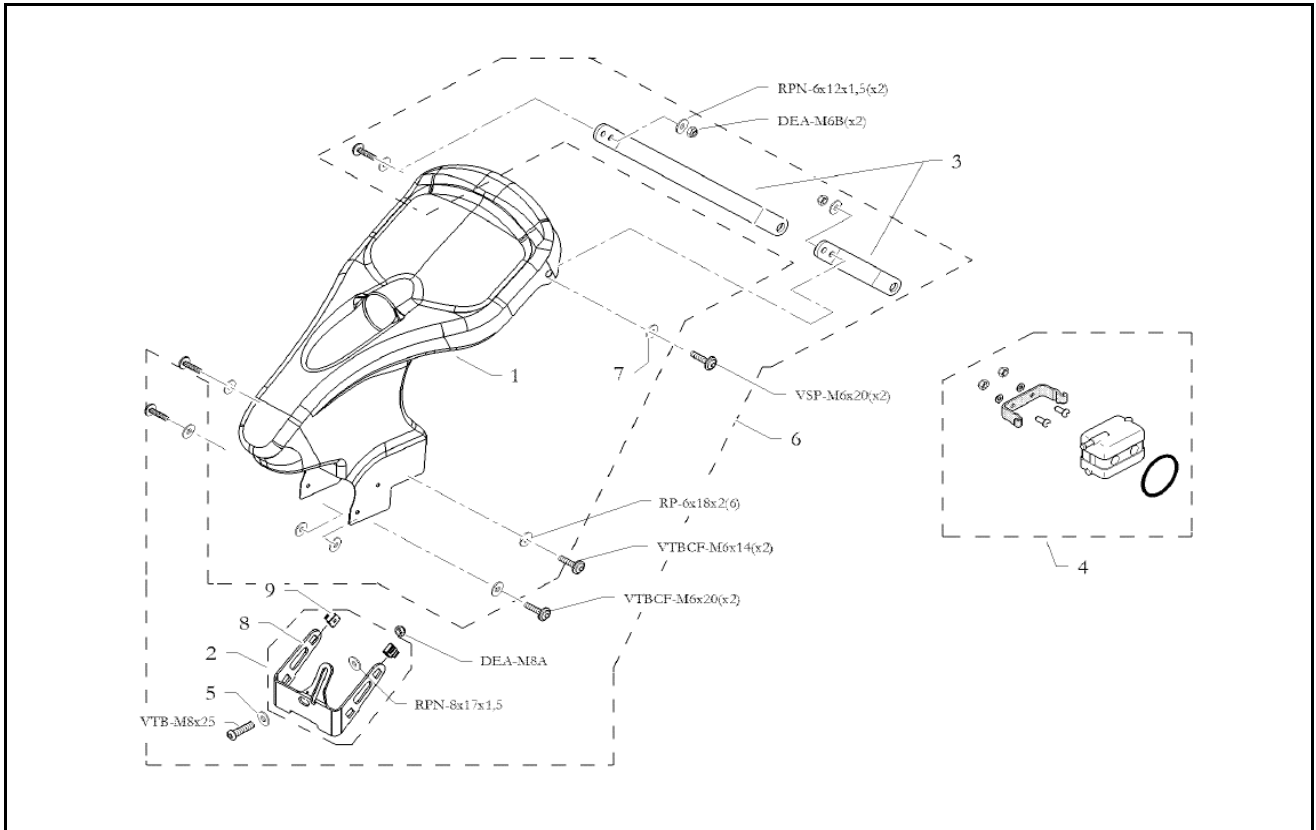


POS	CODE	DESCRIPTION	希望小売価格
1	10.15239.00-CR	SEAT FRAME ADJUSTABLE N35-XR	64,300
2	10.11555.00	SLIDE FRONT LH N35-XR, ASSY.	46,400
3	10.11557.00	SLIDE REAR N35-XR, ASSY.	33,500
4	10.11556.00	SLIDE FRONT RH N35-XR, ASSY.	46,400
5	10.11890.00	MOUNT SEAT FRAME FRONT N35-XR	2,500
6	10.11888.00	TIE ROD RELEASE LEVER N35-XR ASSY.	6,100
7	40.11841.00	RELEASE LEVER SEAT N35-XR	6,100
8	40.3684.00	DOWEL 6×6×0,75 UNI 5923-67	150
9	20.11846.06-BR	BUSHING RELEASE LEVER SEAT N35-XR	560
10	40.11893.00	PISTON POSITION SEAT N35-XR	6,100
11	10.12586.00	SPHERE ADJUSTABLE SEAT N35-XR-BOX(10PC.)	5,500
12	20.11787.06-NE	MOUNT REAR SEAT FRAME N35-XR	7,140
13	40.10098.00-NE	SEAT N35 TG. XXL	40,000
14	20.11248.20	RUBBER SIEGE 20×40×27,5 HIGH	560
15	20.11551.06-NE	SLIDE MOVING HIGHER N35-XR	18,400
16	20.11553.06-NE	SLIDE FRONT FIXED RH N35-XR	20,700
17	20.11552.06-NE	SLIDE FRONT FIXED LH N35-XR	20,700
18	20.11554.06-NE	SLIDE REAR FIXED N35-XR	13,100
19	20.3614.10-LU	WASHER COUNTERSUNK M8	560
20	20.11847.06-BR	SCREW STOP BALL N35-XR	3,000
21	20.11917.06	SPACER 0,5mm SLIDE N35-XR	560
22	40.11918.00	LOCK NUT M8 CH13	140
23	20.3527.06	WASHER 8×18×3	560
24	20.14094.10-LU	SEAT UPPER DISTANCE SPACER	1,400
25	20.14093.10-LU	SEAT LOWER DISTANCE SPACER	1,400
26	20.13975.06	REINFORCED NUT	
27	20.12748.20	RUBBER SPACER	

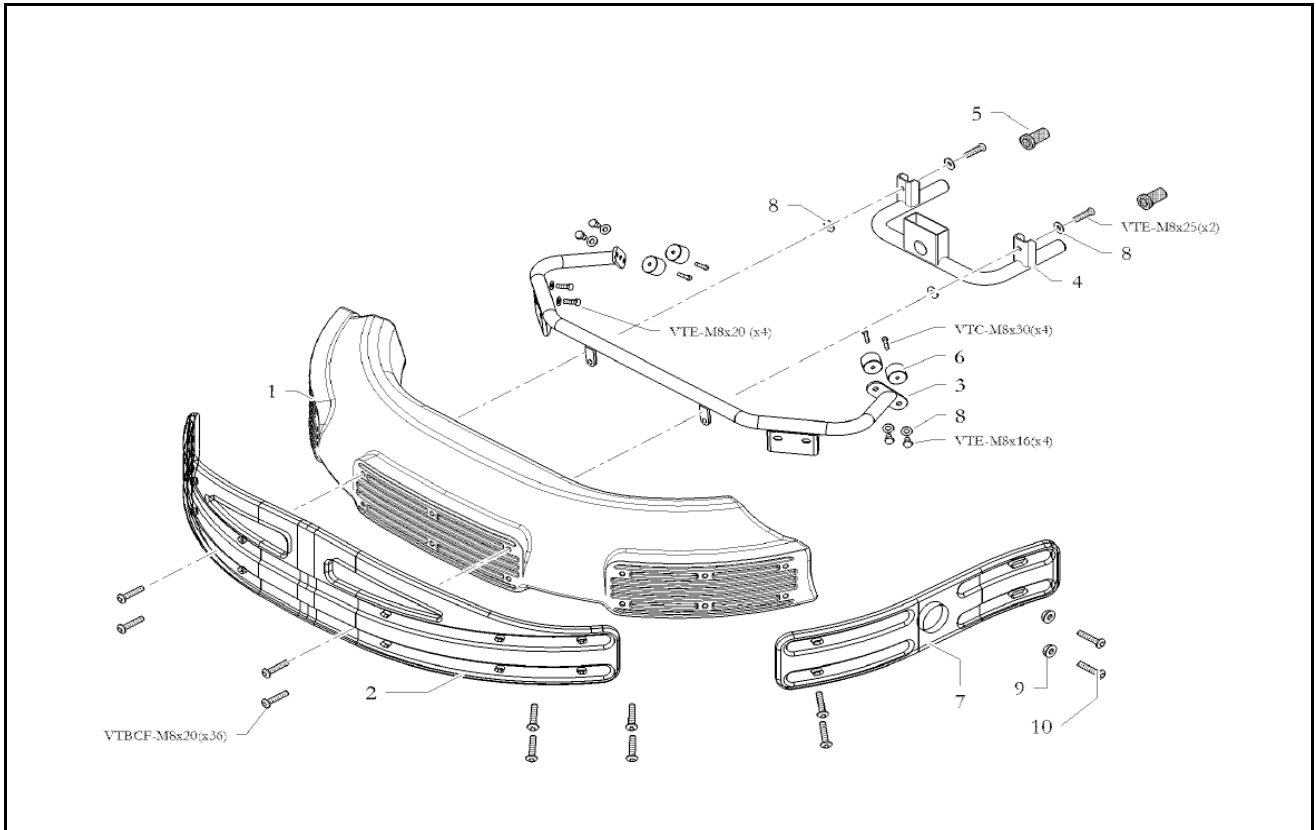
価格、部品展開図は予告なく変更する場合があります。



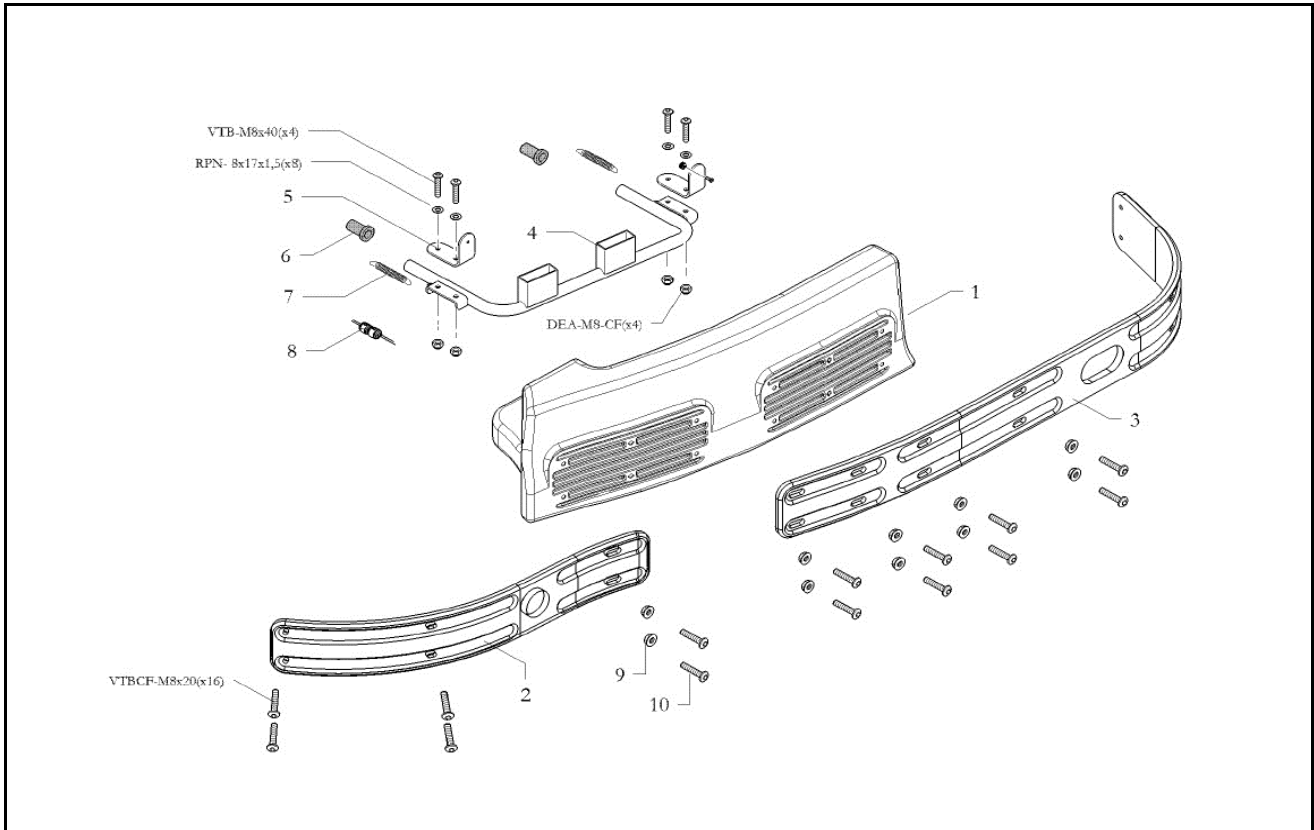
POS	CODE	DESCRIPTION	希望小売価格
1	10.12555.00	PEDALS RELEASE LEVER N35, ASSY.	15,600
2	20.14485.06-PL	PEDALS RELEASE LEVER N35	11,100
3	10.12554.00	CABLE PADALS RELEASE LEVER N35-XR, ASSY.	3,600
4	20.12454.06	BUSHING PEDALS RELEASE LEVER N35-XR	840
5	40.6257.00	FLANGED LOCK NUT M8	170
6	40.12792.00	ADJUSTER HEXAGONAL M6 10X24 W/NUT	560
7	20.13885.06	SCREW WIRE STOP M6	840
8	20.13886.06	BUSHING STOP WIRE	700
9	40.12509.00	SHEATH φ7 AUTOLUBE L=2000	1,400
10	40.12510.00	CABLE D.1.5X49X3000 SF6	980



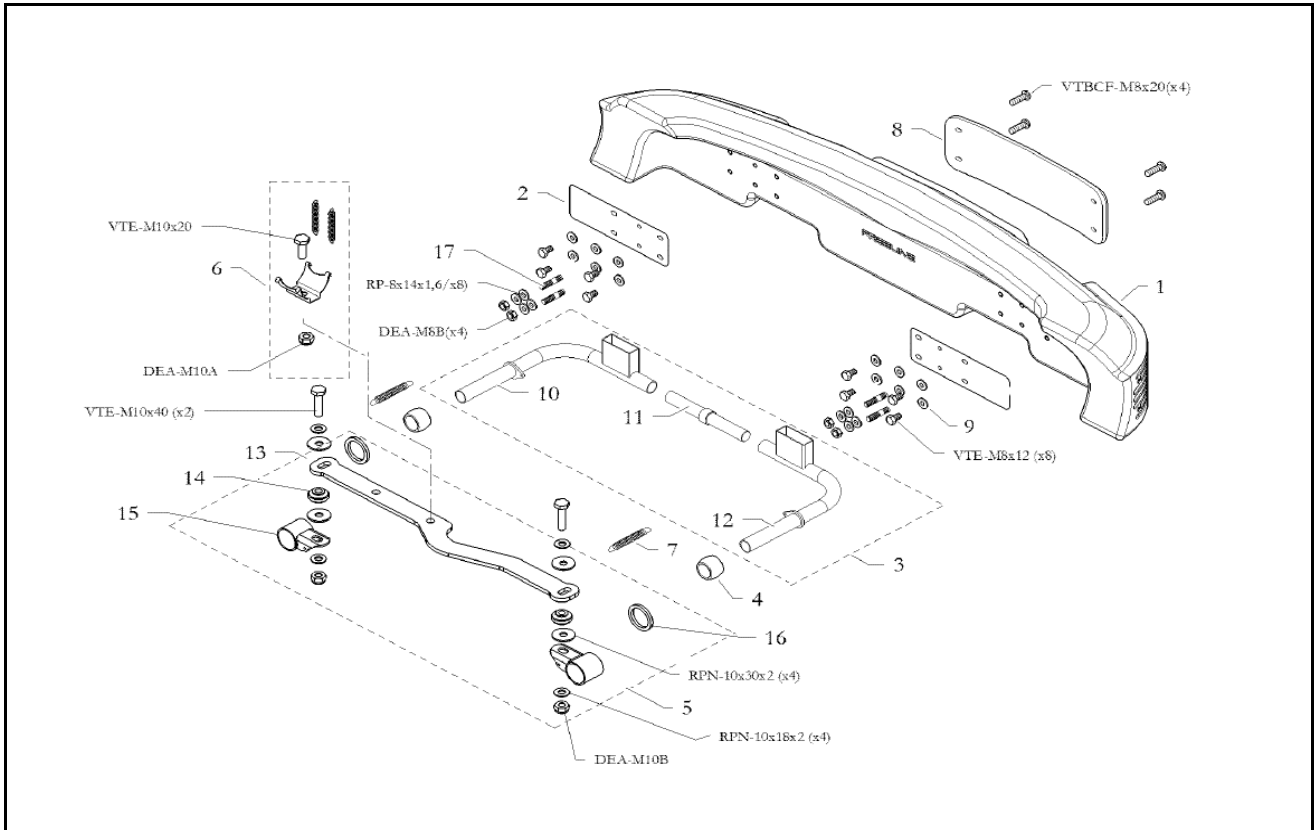
POS	CODE	DESCRIPTION	希望小売価
1	20.12291.18-NE	PANEL N35/15	22,000
2	10.7182.00	BRACKET SUPPORT PANEL N35, ASSY	5,400
3	20.7334.06	BRACKET SUPPORT PANEL 20×3×175	1,800
4	10.9680.00	OVER FLOW BOTTLE	1,200
5	20.3527.06	WASHER 8×18×3	280
6	10.7524.00	ASSEMBLING KIT FOR PANEL N35	
7	20.3615.10-LU	WASHER COUNTERSUNK M8	560
8	20.7178.06	FEONT PANEL SUPPORT BRACKET N35	4,800
9	40.10910.00	KLIPNUT INSERT SM M6	140



POS	CODE	DESCRIPTION	希望小売価格
1	10.12100.00-NE	FRONT POD N35/15	44,700
2	20.13679.18-NE	HIGHT FRONT SHOCK ABSORBER N35/15	39,000
3	10.12113.00-CR	FRONT BUMPER N35/15	19,500
4	10.12111.00-CR	DETACHABLE LOWER FRONT BUMPER N35/15	11,200
5	20.4256.20	RUBBER SHOCK ABSORBER FOR SIDE SUPP. N35	1,200
6	10.4512.00	SILENTBLOCK 40X30	1,500
6	RA-30-26H	防振ゴム N35-X SP 日本製	1,500
7	20.15695.18-NE	SHOCK ABSORBER FRONT SIDE(HIGHT FRONT)	24,300
8	20.3527.06	WASHER 8×18×3	280
9	20.14192.06-ZNE	BUSHING SHOCK ABSORBER M8X25	560
10	20.14193.06-LO	SCREW FIXING SHOCK ABSORBER M8X25	150

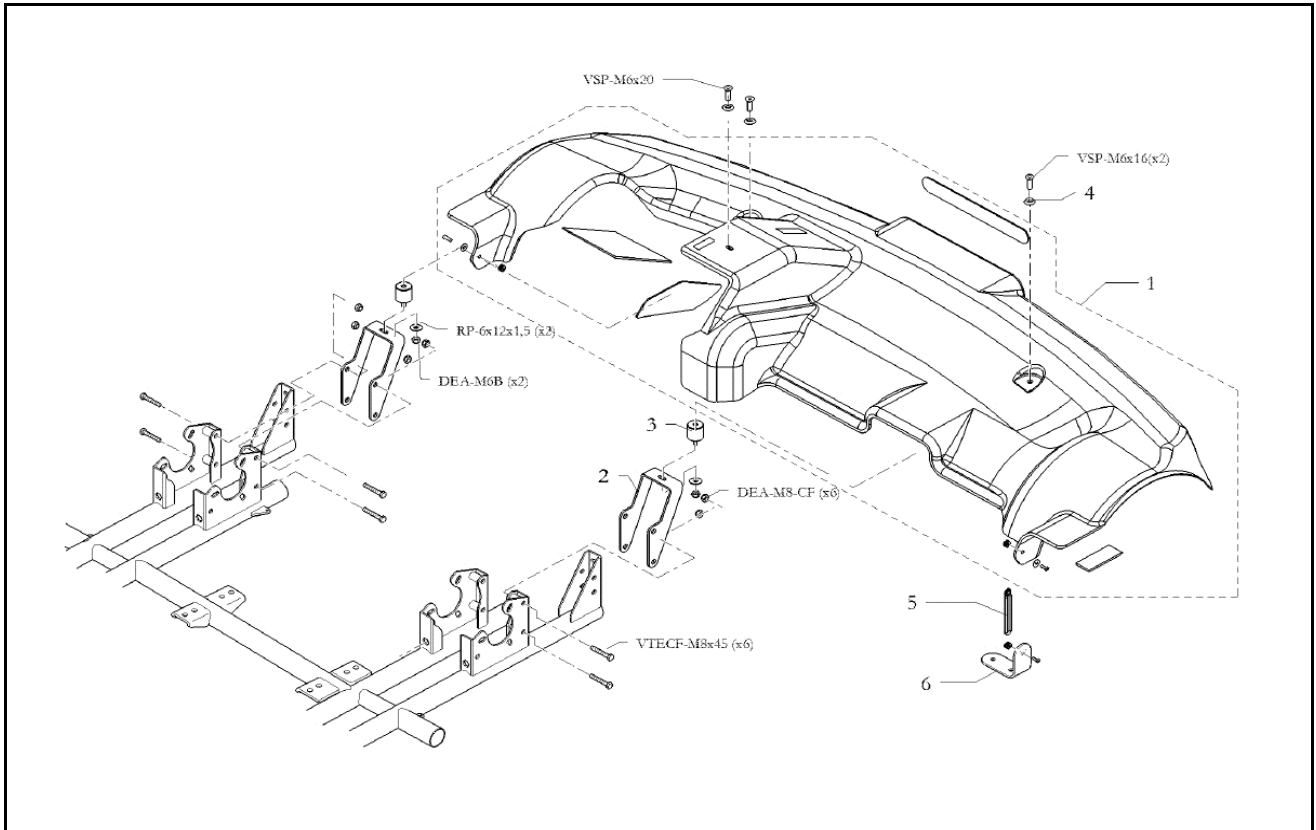


POS	CODE	DESCRIPTION	希望小売価格
1	10.12101.00-NE	SIDE POD LEFT N35/15	31,300
1	10.12102.00-NE	SIDE POD RIGHT N35/15	31,300
2	20.15610.18-NE	SHOCK ABSORBER FRONT SIDE N35 L840	22,500
3	20.15402.18-NE	SHOCK ABSORBER REAR N35 L1355	35,000
4	10.4650.00-CR	SIDE POD SUPPORT RIGHT N35	18,400
4	10.4651.00-CR	SIDE POD SUPPORT LEFT N35	18,400
5	20.8330.06-ZEN	BRACKET FIXING SIDE POD N35	1,100
6	20.4256.20	RUBBER SHOCK ABSORBER FOR SIDE SUPP. N35	1,200
7	20.12423.06	SPRING 13.5X77 THREAD φ2	840
8	10.15245.00	WIRE STOP DOUBLE	1,400
9	20.14192.06-ZN	SHOCK ABSORBER BUSHING N35 24X12X12	560
10	20.14193.06-LO	SCREW FIXED SHOCK ABSORBER N8X25	150

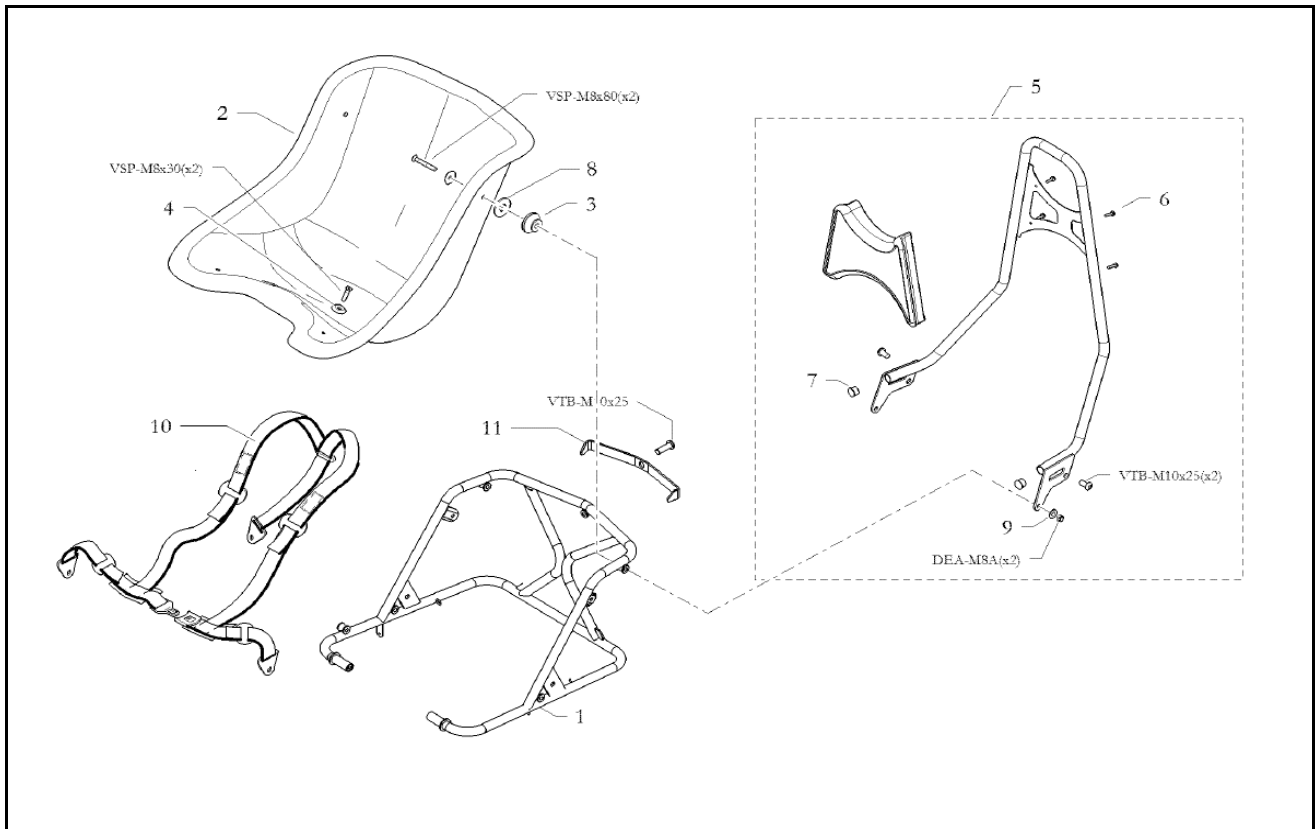


POS	CODE	DESCRIPTION	希望小売価格
1	10.12103.00-NE	REAR POD N35/15	63,200
2	20.12233.06	REINFORCE REAR POD N35/15	2,800
3	10.13363.00	REAR POD SUPPORT N35/15 ASSEY	27,900
4	20.12229.20	RUBBER REAR BUMPER 45×30 N35/15	1,100
5	10.14198.00	MUFFLER BRACKET GX ASSEY	19,000
6	10.2089.00	MUFFLER CRADLE ASSEMBLY	2,200
7	20.0917.06	SPRING 50	440
8	20.12129.18	SHOCK ABSORBER CENTRAL N35/15	14,500
9	20.3527.06	WASHER 8×18×3	280
10	10.12128.00-CR	REAR POD SUPPORT N35 RIGHT	9,000
11	20.13361.18	NYLON SPACER d.35 REAR BUMPER N35	3,900
12	10.13364.00-CR	REAR POD SUPPORT N35 LEFT	9,000
13	20.13969.06	SILENCER SOPPORT BRACKET HONDA GX	5,800
14	40.0334.00	RUBBER SUPPORT MUFFLER CRADLE	280
15	10.13967.00-ZN	SILENCER BRACKET SOPPORT N35	5,500
16	20.12671.06-ZN	WASHER 30.5X40X4	700
17	40.8598.00-LO	SCREW STUD M8X25	280

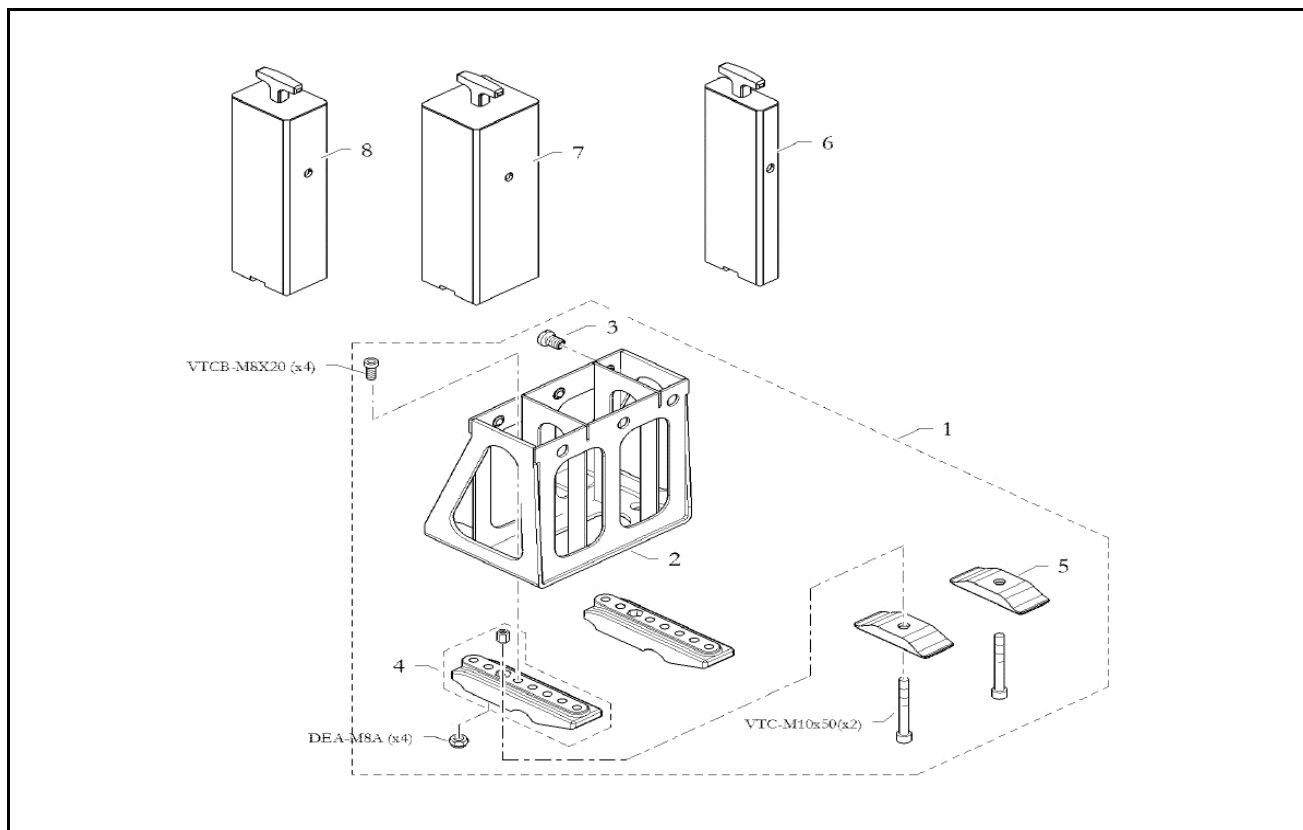
価格、部品展開図は予告なく変更する場合があります。



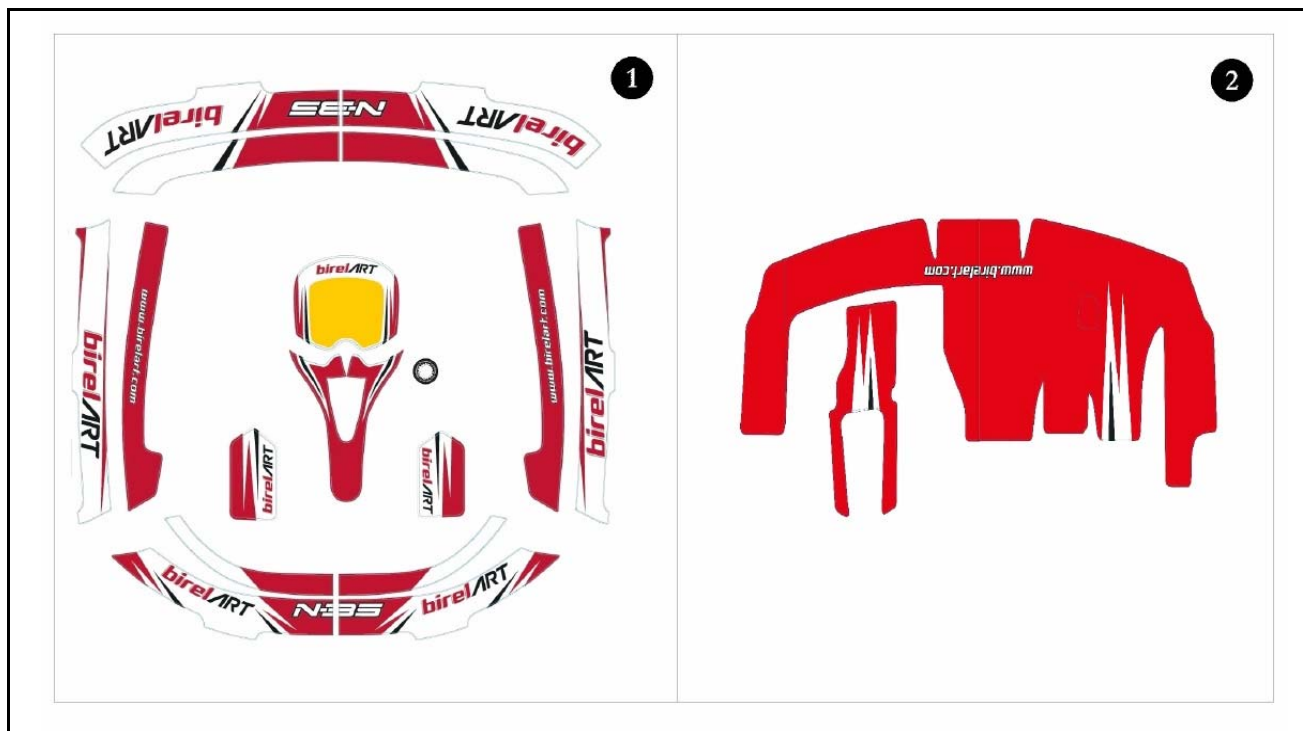
POS	CODE	DESCRIPTION	希望小売価格
1	10.15350.00	REAR COVER N35 ST-GX200 ASSY	77,700
1	10.15348.00	REAR COVER N35 ST-GX270 ASSY	77,000
2	20.15018.06-ZN	REAR COVER SUPPORT BRACKET N35	5,300
3	40.15202.00	SILENT BLOC Φ 25X25	1,100
4	20.3615.10-LU	WASHER COUNTERSUK M6	560
5	40.12695.00	TIE RUBBER 77X55	1,400
6	20.8330.06-ZNE	FIXING KIT REAR COVERING N35	1,100



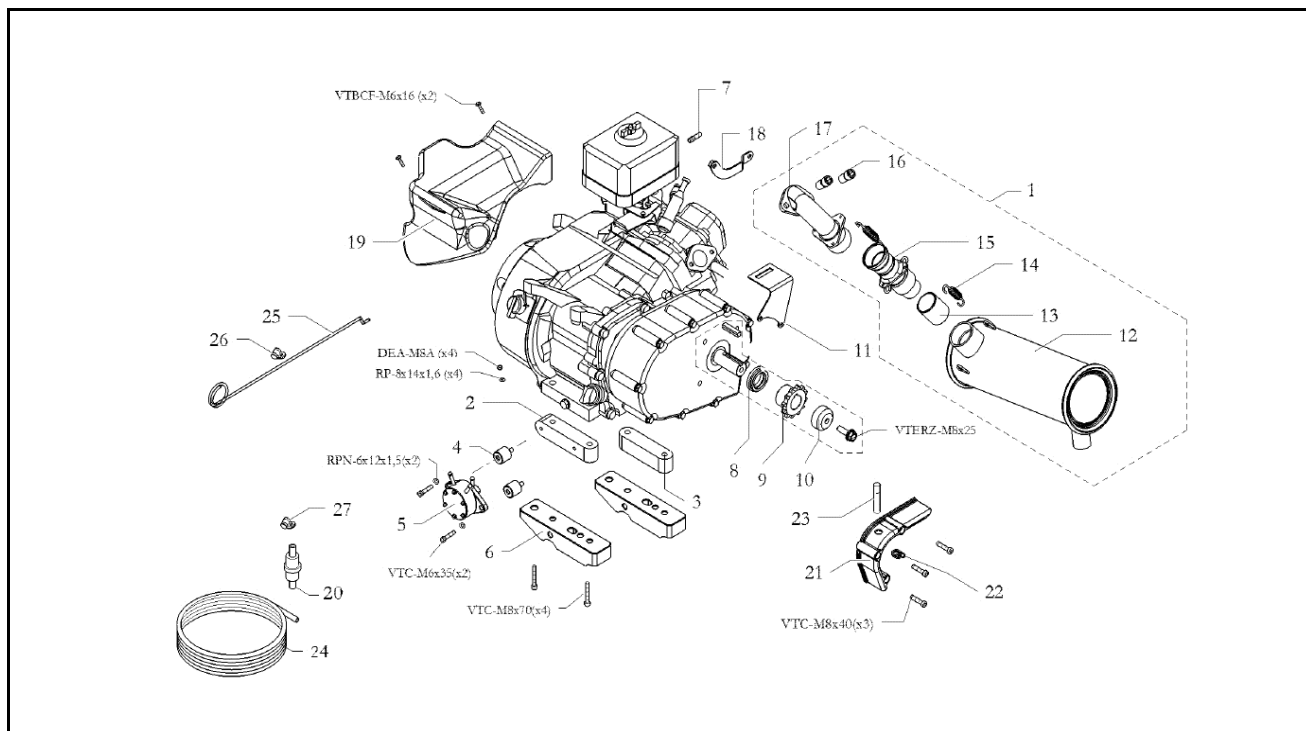
POS	CODE	DESCRIPTION	希望小売価格
1	10.15239.00-CR	SEAT FRAME ADJUSTABLE N35	64,300
2	40.10098.00-NE	SEAT N35 TG.XXL	40,000
3	20.11248.20	RUBBER SSEAT	560
4	20.3614.10-LU	WASHER COUNTERSUNK M8	560
5	10.15900.00	HEADREST N35 ASSEMBLY	37,800
6	40.10455.00	THREADING SCREW 4,2×16 TEF	150
7	40.4228.00	COPRITESTA D155 NERO Φ18	140
8	20.4802.10-LU	SPACER 8X20X3	560
9	20.3527.06	WASHER 8X18X3	280
10	40.13758.00-RO	SAFETY BELT WITH 3 POINT ANCHORAGE	39,000
11	20.13756.06	SAFTY BELT GUIDE	1,700



POS	CODE	DESCRIPTION	希望小売価格
1	10.126210.00	WHIGHT HOLDER N35 ASSY	56,000
2	10.12260.00-CR	WEIGHT HOLDER	28,000
3	40.12619.00	VSCREW PISTON M12	6,100
4	10.4520.00	CLAMP SUPPORT 35X92	4,700
5	20.9206.06-ZN	MOUNT CLAMP STEEL	3,000
6	10.12263.00	WHIGHT KG.5 ASSEY	23,800
7	10.12267.00	WHIGHT KG.15 ASSEY	47,600
8	10.12265.00	WHIGHT KG.10 ASSEY	35,200



POS	CODE	DESCRIPTION	希望小売価格
1	10.15869.04	STICKERS N35 ST VERSION	44,800
2	10.15870.04	STICKERS REAR COVER	25,800



POS	CODE	DESCRIPTION	希望小売価格
1	10.12472.00	EXHAUST ENGINE GX200	72,700
2	20.13638.10-LU	ENGINE PLATE WITH PUMP	4,600
3	20.4033.10-LU	ENGINE MOUNT SPACER	4,200
4	40.9547.00	SILENTBLOCK D 20 X 20	840
5	40.11478.00	POMP MIKUNI	14,700
5	9900	フューエルポンプCP Japan	3,000
6	20.13327.10-LU	CLAMP SUPPORT MOUNT RENTAL	10,600
6	10.4520.00	CLAMP SUPPORT 35X92	4,700
7	20.12886.14	FITTING VACUUM HONDA GX	560
8	K.NO-07-2	スプロケットカラーショート	1,300
9	A001.07.12	スプロケット B 428 12 T	3,000
9	A001.07.13	スプロケット B 428 13 T	3,000
10	R1.008.03	スプロケットカラーメディアム	1,600
11	20.15295.06	ENZGINE COVERSUPPORT BRACKET GX200	4,200
12	10.12471.00	EXHAUST SILENCER GX200/270/390	28,000
13	20.13728.06	FLEXIBLE EXHAUST GX200	1,900
14	20.11513.06	SPRING L-30	2,800
15	10.12984.00	EXHOUST MANIFOLD LOWER GX200	18,200
16	20.11468.06	STUD M8X30	880
17	10.13499.00	EXHAUST MANIFOLD UPPER GX160/200	8,400
18	10.12677.00	HOLD FIXING EXHAUST PROTECTOR GX200	2,700
19	20.7318318-NE	COVER HONDA GX200	16,800
20	40.6653.00	PETROL FILTER	840
21	20.13883.06	CHAIN GUARD GX200/270	2,200
22	40.12961.00	CLAMP SPRING GZ200	2,500
23	20.16369.20	PETROL TUBE L-70	240
24	40.8148.00	PETROL TUBE BLACK 5X10.5 BLACK MT.1	2,800
25	20.13453.06	AIR MOVMENT	1,950
26	40.12573.00	CLAMP CABLE PASS φ6	700
27	40.12447.00	CLAMP CABLE PASS φ10	700

価格、部品展開図は予告なく変更する場合があります。